

Cod. 10124
Cod. 10125

Jolly

Hose reel machines
Enrolladores

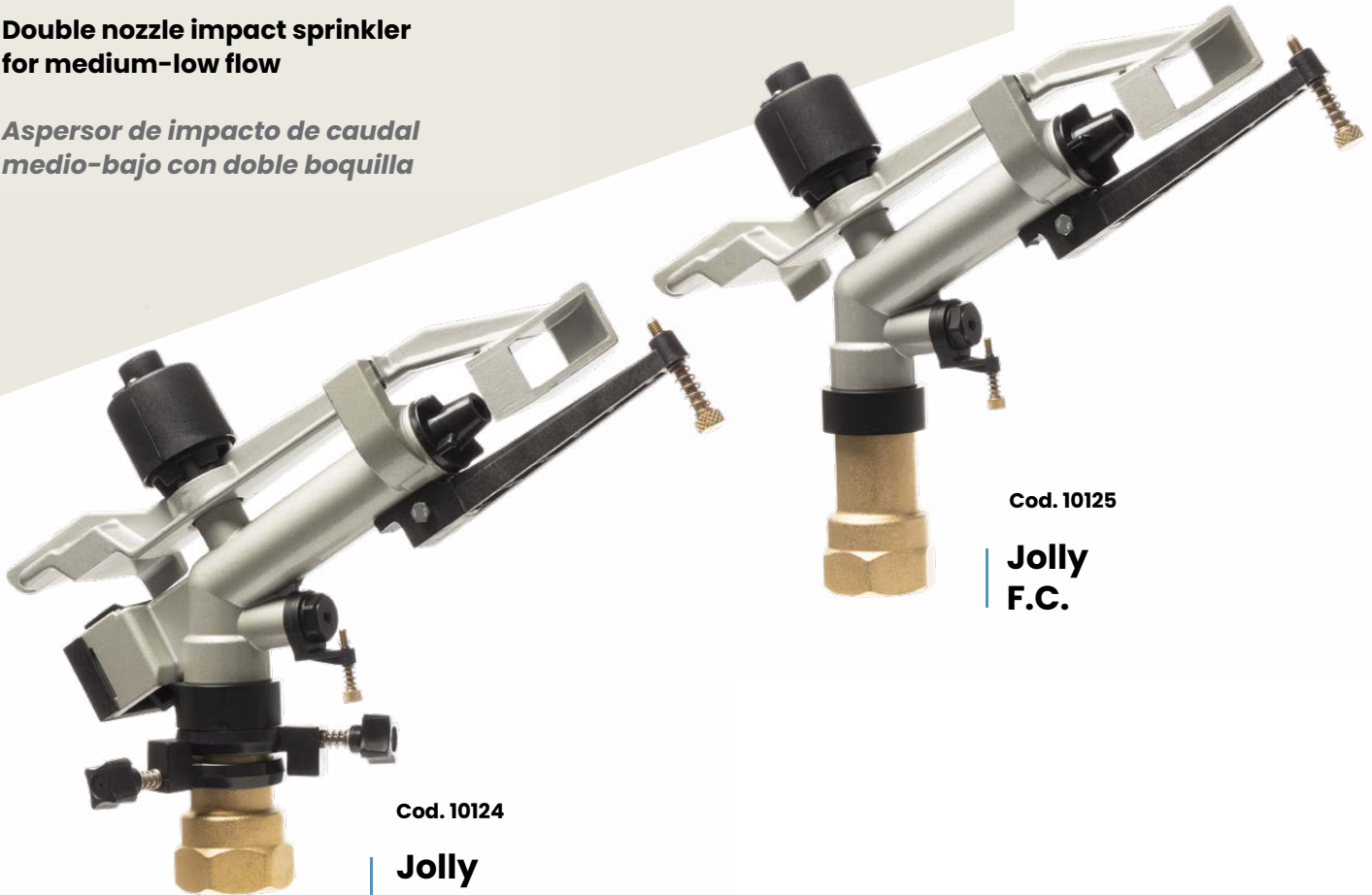


Solid set systems
Cobertura integral



**Double nozzle impact sprinkler
for medium-low flow**

*Aspersor de impacto de caudal
medio-bajo con doble boquilla*



Cod. 10124

**Jolly
P.C.**

Cod. 10125

**Jolly
F.C.**

	Net weight <i>Peso neto</i>	Connection <i>Conexión</i>	Size <i>Dimensiones</i>	Nozzle <i>Boquilla</i>	Angle <i>Ángulo</i>
P.C	1,28 kg	1" 1/4 F	ø 510 mm x 251 mm	Ø 7 ÷ 16 mm	30°
F.C	1,12 kg				

Pressure *Presion*

for **US units** go to page 70

Nozzle <i>Boquilla</i>	1,5 bar		2 bar		3 bar		4 bar		5 bar	
	Flow <i>Caudal</i> l/min	Radius <i>Alcance</i> m	Flow <i>Caudal</i> l/min	Radius <i>Alcance</i> m	Flow <i>Caudal</i> l/min	Radius <i>Alcance</i> m	Flow <i>Caudal</i> l/min	Radius <i>Alcance</i> m	Flow <i>Caudal</i> l/min	Radius <i>Alcance</i> m
8 mm - 4 mm	62	16,5	71	17,5	87	19,5	100	21	-	-
9 mm - 4 mm	76	17	88	18	107	20	124	21,5	-	-
10 mm - 4 mm	-	-	106	19	130	21	151	22,5	170	23,5
12 mm - 4 mm	-	-	149	21	182	23,5	211	26	236	28
14 mm - 4 mm	-	-	197	22,5	241	24	278	27	311	29

US units



Funny

Nozzle
Boquilla

Pressure Presion

	22 PSI		29 PSI		44 PSI		56 PSI	
	Flow Caudal gpm	Radius Alcance feet	Flow Caudal gpm	Radius Alcance feet	Flow Caudal gpm	Radius Alcance feet	Flow Caudal gpm	Radius Alcance feet
0.20 in	5.3	41	5.8	44	7.1	49	8.5	54
0.24 in	7.4	43	8.5	48	10.3	54	11.9	57
0.28 in	9.8	46	11.1	49	13.7	56	15.9	61
0.35 in	16.4	49	18.8	54	23.0	61	26.4	64



Ibis

Nozzle
Boquilla

Pressure Presion

	22 PSI		29 PSI		44 PSI		56 PSI		70 PSI	
	Flow Caudal gpm	Radius Alcance feet	Flow Caudal gpm	Radius Alcance feet	Flow Caudal gpm	Radius Alcance feet	Flow Caudal gpm	Radius Alcance feet	Flow Caudal gpm	Radius Alcance feet
0.16 in - 0.24 in	10.6	43	12.2	49	14.8	56	17.2	59	-	-
0.16 in - 0.31 in	16.1	48	18.8	54	22.7	59	26.4	62	-	-
0.16 in - 0.39 in	-	-	26.9	56	32.8	64	38.0	69	42.5	75



K1

Nozzle
Boquilla

Pressure Presion

	22 PSI		29 PSI		44 PSI		56 PSI	
	Flow Caudal gpm	Radius Alcance feet	Flow Caudal gpm	Radius Alcance feet	Flow Caudal gpm	Radius Alcance feet	Flow Caudal gpm	Radius Alcance feet
0.31 in	12.9	51	15.1	56	18.2	62	21.1	67
0.35 in	16.4	54	18.8	57	23.0	64	26.4	69
0.39 in	20.1	56	23.2	59	28.3	67	32.8	72
0.47 in	29.1	56	33.5	62	40.9	69	47.3	77



K1 teso 8°

Nozzle
Boquilla

Pressure Presion

	22 PSI		29 PSI		44 PSI		56 PSI	
	Flow Caudal gpm	Radius Alcance feet	Flow Caudal gpm	Radius Alcance feet	Flow Caudal gpm	Radius Alcance feet	Flow Caudal gpm	Radius Alcance feet
0.31 in	12.9	33	15.1	36	18.2	46	21.1	52
0.35 in	16.4	36	18.8	39	23.0	51	26.4	59
0.39 in	20.1	39	23.2	44	28.3	54	32.8	62



Jolly

Nozzle
Boquilla

Pressure Presion

	22 PSI		29 PSI		44 PSI		56 PSI		70 PSI	
	Flow Caudal gpm	Radius Alcance feet	Flow Caudal gpm	Radius Alcance feet	Flow Caudal gpm	Radius Alcance feet	Flow Caudal gpm	Radius Alcance feet	Flow Caudal gpm	Radius Alcance feet
0.28 in - 0.16 in	16.4	54	18.8	57	23.0	64	26.4	69	-	-
0.35 in - 0.16 in	20.1	56	23.2	59	28.3	66	32.8	71	-	-
0.39 in - 0.16 in	-	-	28.0	62	34.3	69	39.9	74	44.9	77
0.47 in - 0.16 in	-	-	39.4	69	48.1	77	55.7	85	62.3	92
0.55 in - 0.55 in	-	-	52.0	74	63.7	79	73.4	89	82.2	95